

# ATX™ CBU, SWU, RCU Series Branch Circuit Breakers, Switches, Relays, Contactors For Increased Safety Enclosures

ATEX/IECEX:  
Zone 1 and 2  
Ⓜ II 2 GD

## Applications

- Useful as back-up circuit breaker protection or as main circuit breaker protection for hazardous areas.
- To be fitted inside increased safety Ex e enclosures.

## Features

- Up to 40 A for 2-pole circuit breaker versions.
- Up to 63 A for 2-pole with GFI, 3-pole and 4-pole circuit breaker versions.
- Up to 63 A for switch versions.
- Breaking capacity 10 kA – 400 V according to EN/IEC 60947-2 standard.
- Breaking capacity 6 kA-400 V according to EN/IEC 60898 standard.
- Supplied with front rotary control handle padlockable in OFF position.
- Terminal capacity: 1 x 25 mm<sup>2</sup> (0.002 x 0.039 in<sup>2</sup>).
- Mounting in polyester (ECEP series) or in 316L stainless steel (ECES series) enclosures. Can be fixed either on the door or at the back of the enclosure.

## Standard Materials

- Housing: polyamide

## ATEX/IECEX Certifications and Compliances

- Certification Type IT40U (2-pole versions)
  - Gas, Zones 1 and 2 (Authorized to be used in an approved dustproof enclosure)
  - Conforming to ATEX 94/9/CE: Ⓜ II 2 G
  - Type of Protection: Ex de IIC
  - Service Temperature: -20 °C to +55 °C (-4 °F to +131 °F)
  - CE Declaration of Conformity: 5C216
  - ATEX Certificate: LCIE 02 ATEX 0035U
  - IECEx Certificate: IECEx LCI 04.0033U
- Certification Type CBU (2-pole GFI, 3-pole and 4-pole versions)
  - Gas, Zones 1 and 2 (Authorized to be used in an approved dustproof enclosure)
  - Conforming to ATEX 94/9/CE: Ⓜ II 2 G
  - Type of Protection: Ex de IIC
  - Service Temperature: -20 °C to +55 °C (-4 °F to +131 °F)
  - CE Declaration of Conformity: 5C244
  - ATEX Certificate: LCIE 09 ATEX 3068U
  - IECEx Certificate: IECEx LCI 09.0023L

## EURASEC Certification

- Certification Type IT40U (2-pole versions)
  - EURASEC N° TC RU C-FR.ГБ05.В.00909
- Certification Type CBU (2-pole GFI, 3 and 4-pole versions)
  - EURASEC N° TC RU C-FR.ГБ05.В.00909

## Other Certification ①

- Certification Type IT40U (2-pole versions)
  - INMETRO Certificate: BVC 11.0594-U
- Certification Type CBU (2-pole GFI, 3 and 4-pole versions)
  - INMETRO Certificate: BVC 10.0011-U



2-Pole Circuit Breaker with GFI



4-Pole Circuit Breaker



2-Pole Circuit Breaker



4-Pole Switch

Appleton®

DISTRIBUTION EQUIPMENT: ATEX/IECEX INCREASED SAFETY CIRCUIT BREAKERS

① INMETRO certification available on special request only. Contact your local sales representative for more information.

# ATX™ CBU, SWU, RCU Series Branch Circuit Breakers, Switches, Relays, Contactors

## For Increased Safety Enclosures

ATEX/IECEX:  
Zone 1 and 2  
Ex II 2 GD

### Catalog Numbering Guide — ATEX/IECEX Certified Branch Circuit Breakers, Switches

<b>CBU</b>	<b>1</b>	<b>01</b>	<b>B</b>	<b>R1</b>	<b>5</b>
<p>Circuit Breaker Series: <b>CBU</b> - Circuit Breaker 2P, 3P and 4P</p> <p><b>CBUN</b> - Circuit Breaker 2P+GFI version</p> <p>Switch Series: <b>SWU</b> - Switch ①</p>	<p>Number of Poles: 1 - 1-Pole 2 - 2-Poles 3 - 3-Poles 4 - 4-Poles 9 - 1-Pole + Neutral</p>	<p>Intensity: ① 01 - 1 A 02 - 2 A 03 - 3 A 04 - 4 A 06 - 6 A 10 - 10 A 16 - 16 A 20 - 20 A 25 - 25 A 32 - 32 A 40 - 40 A 50 - 50 A 63 - 63 A</p>	<p>Curve Type: B - Curve B C - Curve C D - Curve D</p>	<p>GFI: R1 - 30 mA R2 - 300 mA</p>	<p>Options: 5 - 440 Vac 6 - 480 Vac F3 - 1 NO/NC Fault Indication Contact F5 - NO Fault Indication Contact F9 - NC Fault Indication Contact S3 - 1 NO/NC Auxiliary Contact S5 - 2 NO Auxiliary Contact S9 - 2 NC Auxiliary Contact M - 15 kA Breaking Capacity P - 25 kA Breaking Capacity</p>

### Catalog Numbering Guide — ATEX/IECEX Certified Relays and Contactors

<b>RCU</b>	<b>1</b>	<b>01</b>	<b>B</b>	<b>R1</b>
<p><b>RCU</b> : Relay and Contactor</p>	<p>Number of Poles: 2 - 2-Poles 3 - 3-Poles 4 - 4-Poles</p>	<p>Intensity: 20 - 20 A 24 - 24 A 40 - 40 A</p>	<p>Number of contacts: - For 20 Amps only: 20 - 2NO 02 - 2NC 11 - 1NO+1NC - For 24 Amps only: 40 - 4NO 04 - 4NC 13 - 1NO+3NC 22 - 2NO+2NC 31 - 3NO+1NC - For 40 Amps only: 40 - 4NO 22 - 2NO+2NC 31 - 3NO+1NC</p>	<p>Coil voltage: 24 - 24VAC (for 20,24,40 Amps only) 23 - 230VAC (for 20,24,40 Amp)</p>

① SWU Series Switches: Up to 40 Amps for 2-pole version. Up to 63 Amps for 3- and 4-pole versions. Example: 3-pole, 25 Amp switch – SWU325.

# ATX™ CBU, SWU, RCU Series Branch Circuit Breakers, Switches, Relays, Contactors

## For Increased Safety Enclosures

ATEX/IECEX:  
Zone 1 and 2  
II 2 GD

### Circuit Breakers – CBU Series

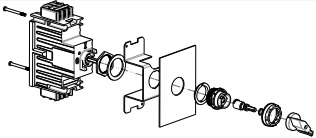
	Weight kg (lbs)	Volume dm <sup>3</sup> (in <sup>3</sup> )	Certified Type	Catalog Number
<b>2-Pole Branch Circuit Breaker – 230/240 Vac – Tripping Curve C</b>				
2 x 6 A	1.9 (4.19)	1.1 (0.002)	IT40U	CBU206C
2 x 10 A	1.9 (4.19)	1.1 (0.002)	IT40U	CBU210C
2 x 16 A	1.9 (4.19)	1.1 (0.002)	IT40U	CBU216C
2 x 20 A	1.9 (4.19)	1.1 (0.002)	IT40U	CBU220C
2 x 25 A	1.9 (4.19)	1.1 (0.002)	IT40U	CBU225C
2 x 32 A	1.9 (4.19)	1.1 (0.002)	IT40U	CBU232C
<b>2-Pole GFI Branch Circuit Breaker – 230/240 Vac – Tripping Curve C</b>				
2 x 10 A/30 mA	1.9 (4.19)	3.1 (0.005)	CBU	CBUN210CR1
2 x 16 A/30 mA	1.9 (4.19)	3.1 (0.005)	CBU	CBUN216CR1
2 x 20 A/30 mA	1.9 (4.19)	3.1 (0.005)	CBU	CBUN220CR1
2 x 10 A/300 mA	1.9 (4.19)	3.1 (0.005)	CBU	CBUN210CR2
2 x 16 A/300 mA	1.9 (4.19)	3.1 (0.005)	CBU	CBUN216CR2
2 x 20 A/300 mA	1.9 (4.19)	3.1 (0.005)	CBU	CBUN220CR2
<b>3-Pole Branch Circuit Breaker – 380/415 Vac – Tripping Curve C</b>				
3 x 6 A	1.9 (4.19)	3.1 (0.005)	CBU	CBU306C
3 x 10 A	1.9 (4.19)	3.1 (0.005)	CBU	CBU310C
3 x 16 A	1.9 (4.19)	3.1 (0.005)	CBU	CBU316C
3 x 20 A	1.9 (4.19)	3.1 (0.005)	CBU	CBU320C
3 x 25 A	1.9 (4.19)	3.1 (0.005)	CBU	CBU325C
3 x 32 A	1.9 (4.19)	3.1 (0.005)	CBU	CBU332C
<b>4-Pole Branch Circuit Breaker – 380/415 Vac – Tripping Curve C</b>				
4 x 6 A	1.9 (4.19)	3.1 (0.005)	CBU	CBU406C
4 x 10 A	1.9 (4.19)	3.1 (0.005)	CBU	CBU410C
4 x 16 A	1.9 (4.19)	3.1 (0.005)	CBU	CBU416C
4 x 20 A	1.9 (4.19)	3.1 (0.005)	CBU	CBU420C
4 x 25 A	1.9 (4.19)	3.1 (0.005)	CBU	CBU425C
4 x 32 A	1.9 (4.19)	3.1 (0.005)	CBU	CBU432C

### Relays and Contactors – RCU Series

2 and 4-pole versions:

- Rated current: 20 A, 24 A, 40 A and 63 A.
- Rated voltage: Up to 415 V - 50/60 Hz.
- Coil voltage: Up to 240 V - 50/60 Hz.
- Consult factory for further details.

### CBU and SWU Bracket

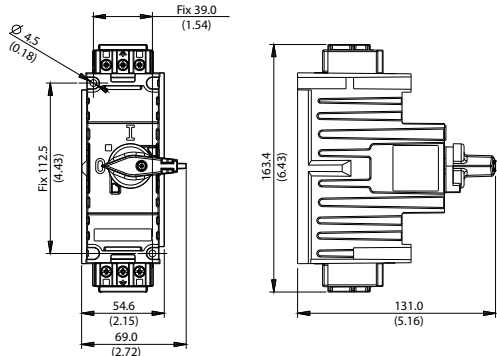
	Description	Catalog Number
	Bracket for door fixing for 2-pole MCB	096650

# ATX™ CBU, SWU, RCU Series Branch Circuit Breakers, Switches, Relays, Contactors

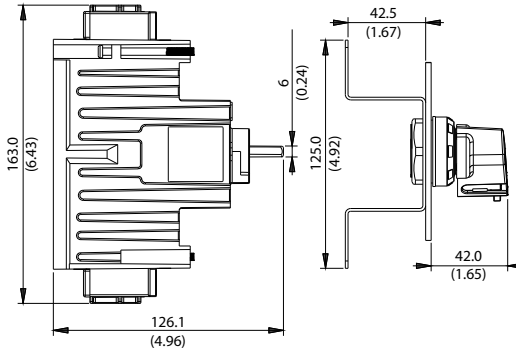
## For Increased Safety Enclosures

ATEX/IECEX:  
Zone 1 and 2  
II 2 GD

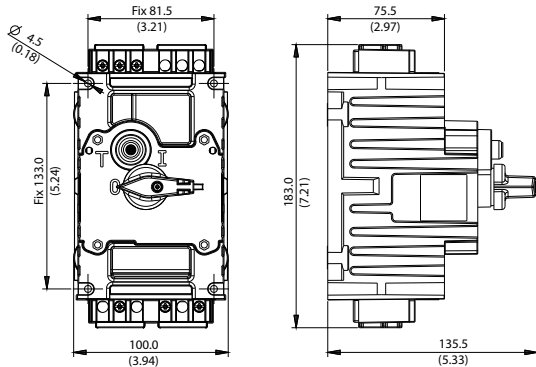
### Dimensions in Millimeters (Inches)



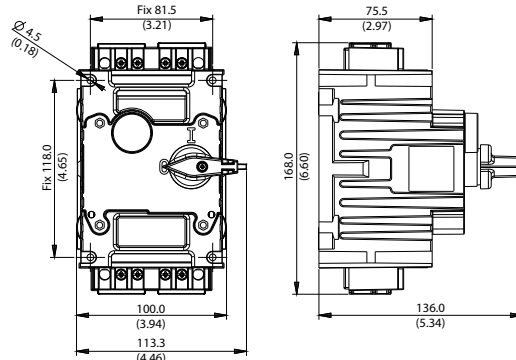
**1 / 2 Poles Circuit Breaker**  
**1 Pole + Aux. Circuit Breaker**



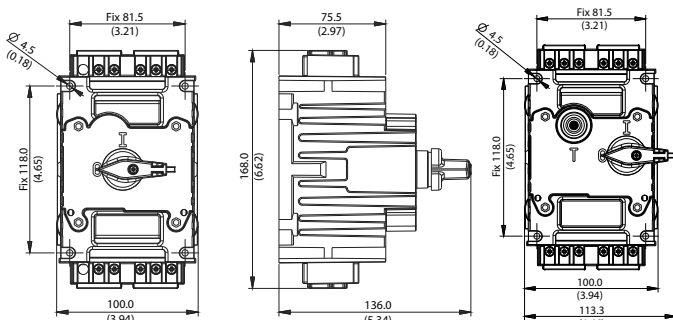
**With fixing kit 2 Poles 096650**



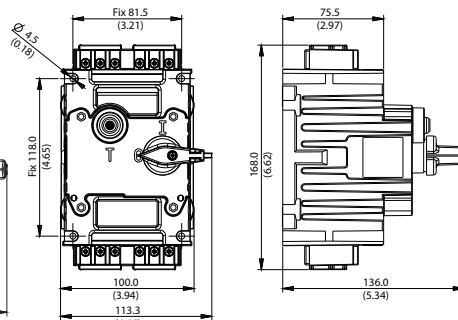
**2 Poles Circuit breaker with GFI**  
**2 Poles + Aux Circuit Breaker with GFI**



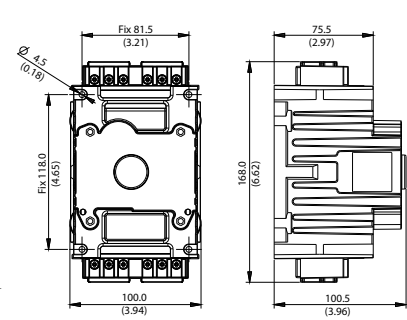
**2 / 3 / 4 Poles + Aux. Circuit Breaker**  
**3 / 4 Poles Circuit Breaker**



**3 / 4 Poles Switch Breaker**  
**3 / 4 Poles + Aux. Switch Breaker**



**4 Poles Switch with Earth Leakage**  
**4 Poles + Aux. Switch with Earth Leakage**



**2 / 3 / 4 Poles Contactor**

DISTRIBUTION EQUIPMENT: ATEX/IECEX INCREASED SAFETY CIRCUIT BREAKERS

Appleton®